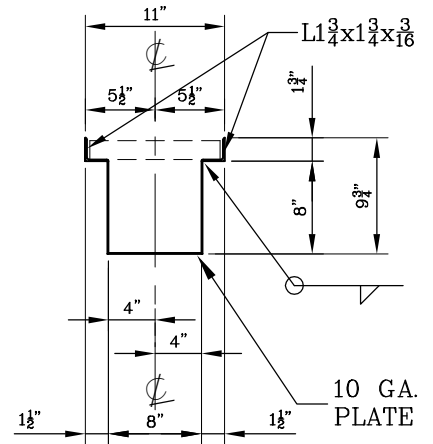


PLAN VIEW SECTION

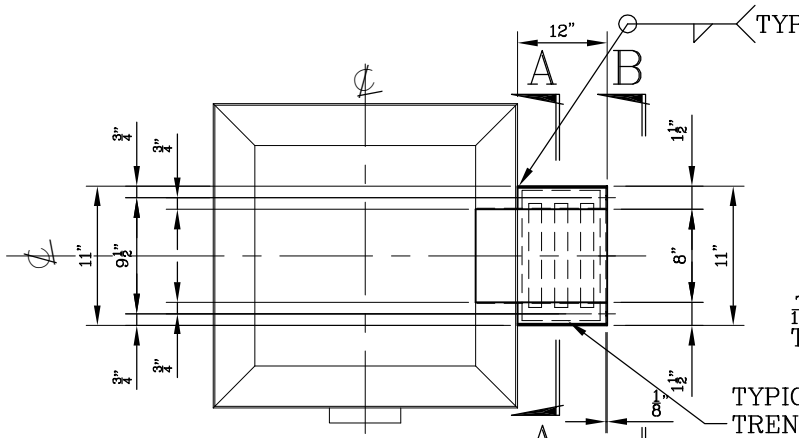
**TYPICAL TRENCH INLET GRATE**

(1 TOTAL FOR EACH INLET)



A = A

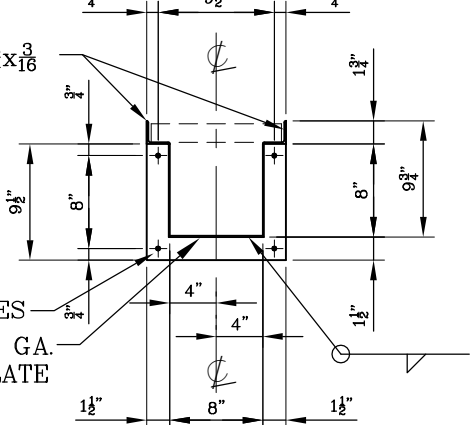
TRENCH INLET SECTION



PLAN VIEW

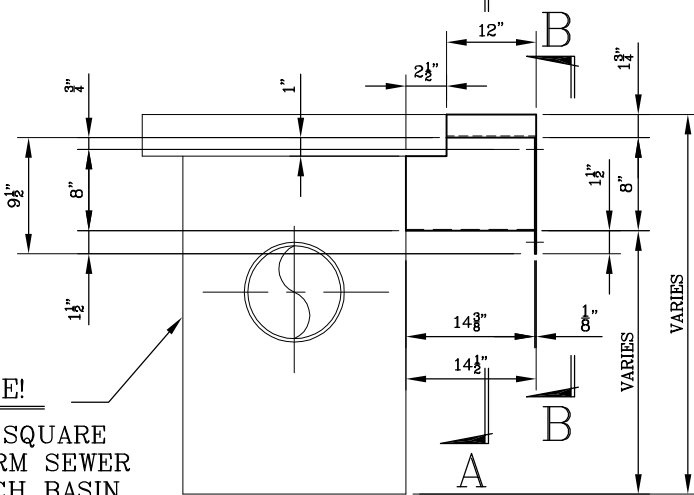
TYPICAL TRENCH GRATE

7/16" Ø HOLES TYP.  
10 GA. PLATE

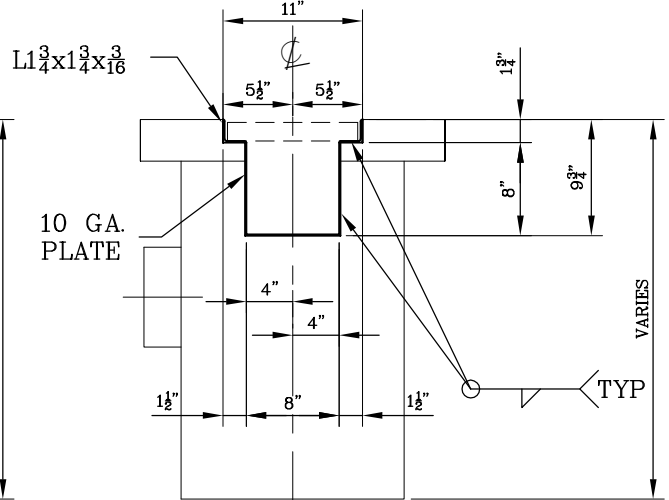


B = B

END PLATE ELEVATION



INLET SIDE ELEVATION



INLET FRONT ELEVATION

NOTE!  
24" SQUARE STORM SEWER CATCH BASIN (DEPTHS VARY)

**TYPICAL TRENCH DRAIN INLET**



Gibson Steel Basins  
SINCE 1972

8" WIDE x 8" DEEP INLET

TRENCH DRAIN INLET (STORM SEWER CATCH BASIN)

PROJ. MAN. DOUG P.

DWN. PAUL G.

SCALE NONE

DATE: JAN. 23, 06

MODEL: GTDB-88S

DWG #

**TDB  
8S**