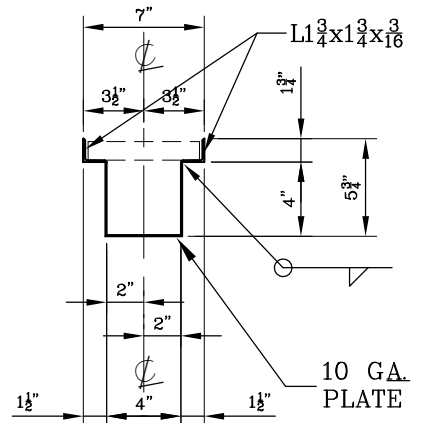


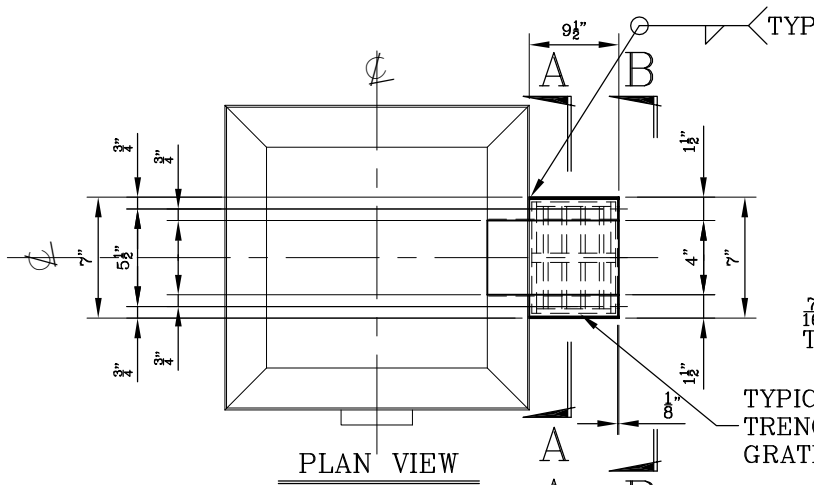
TYPICAL TRENCH INLET GRATE

(1 TOTAL FOR EACH INLET)



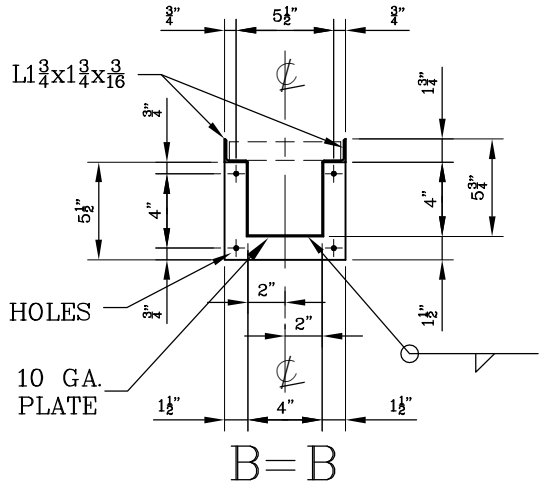
A = A

TRENCH INLET SECTION



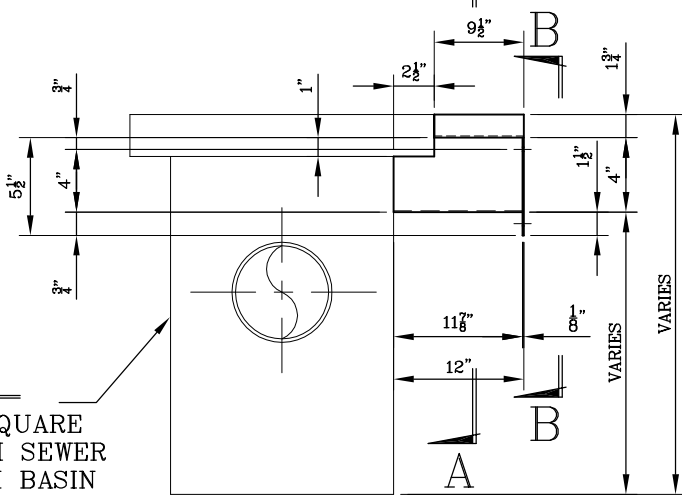
TYPICAL TRENCH GRATE

7" Ø HOLES TYP.
10 GA. PLATE

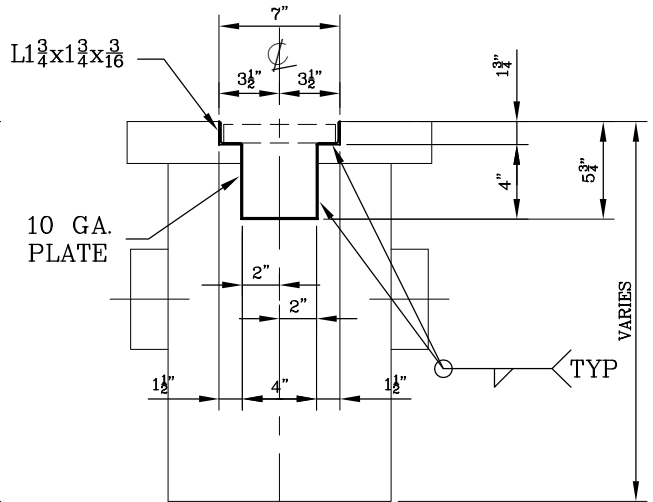


B = B

END PLATE ELEVATION



INLET SIDE ELEVATION



INLET FRONT ELEVATION

NOTE!

24" SQUARE STORM SEWER CATCH BASIN (DEPTHS VARY)

TYPICAL TRENCH DRAIN INLET



Gibson Steel Basins
SINCE 1972

4" WIDE x 4" DEEP INLET

TRENCH DRAIN INLET (STORM SEWER CATCH BASIN)

PROJ. MAN. DOUG P.

DWN. PAUL G.

SCALE NONE

DATE: JAN. 23, 06

MODEL: GTDB-44S

DWG #

**TDB
4S**