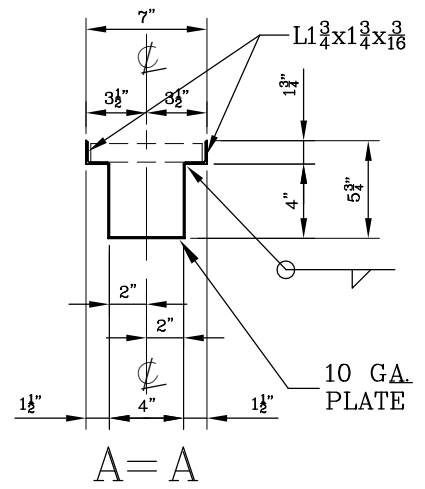
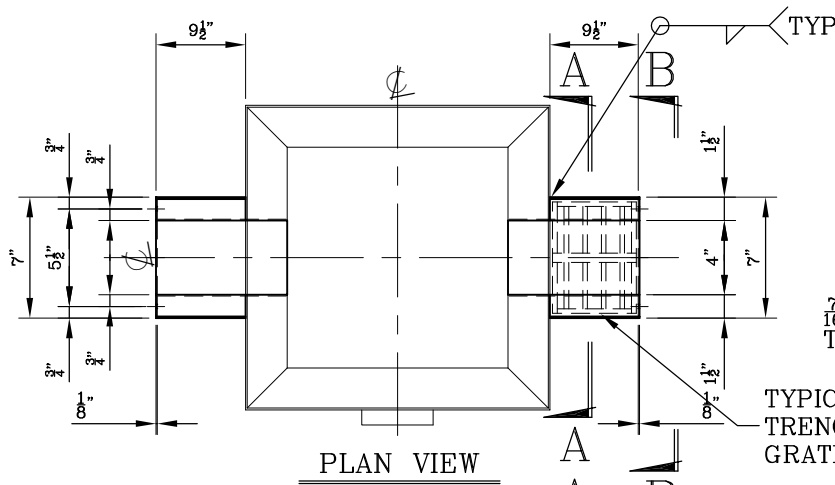


**TYPICAL TRENCH INLET GRATE**

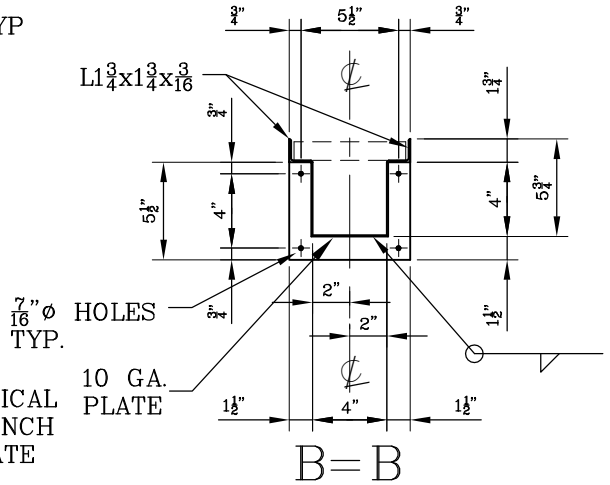
(1 TOTAL FOR EACH INLET)



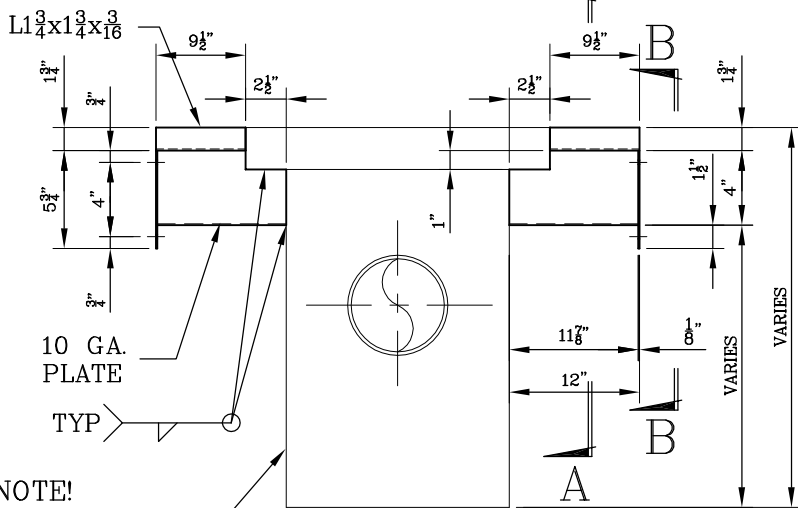
**TRENCH INLET SECTION**



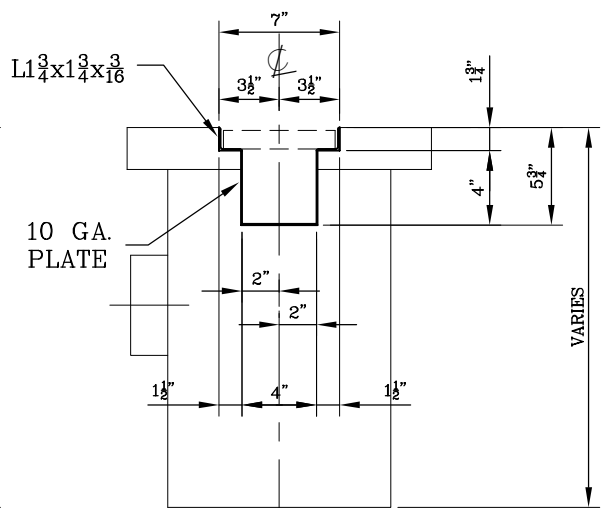
**TYPICAL TRENCH GRATE**



**END PLATE ELEVATION**



**INLET SIDE ELEVATION**



**INLET FRONT ELEVATION**

**NOTE!**  
24" SQUARE  
STORM SEWER  
CATCH BASIN  
(DEPTHS VARY)

**TYPICAL TRENCH DRAIN INLET**



Gibson Steel Basins  
SINCE 1972

4" WIDE x 4" DEEP INLET

TRENCH DRAIN INLET (STORM SEWER CATCH BASIN)

PROJ. MAN. DOUG P.

DWN. PAUL G.

SCALE NONE

DATE: JAN. 23, 06

MODEL: GTDB-44D

DWG #

**TDB  
4D**