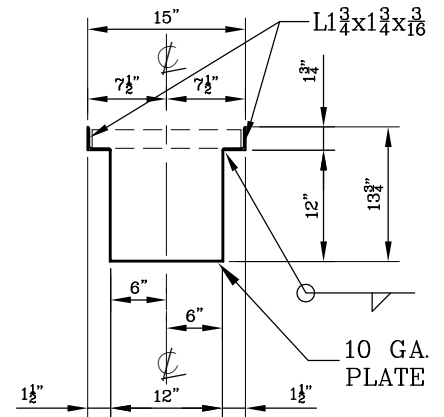


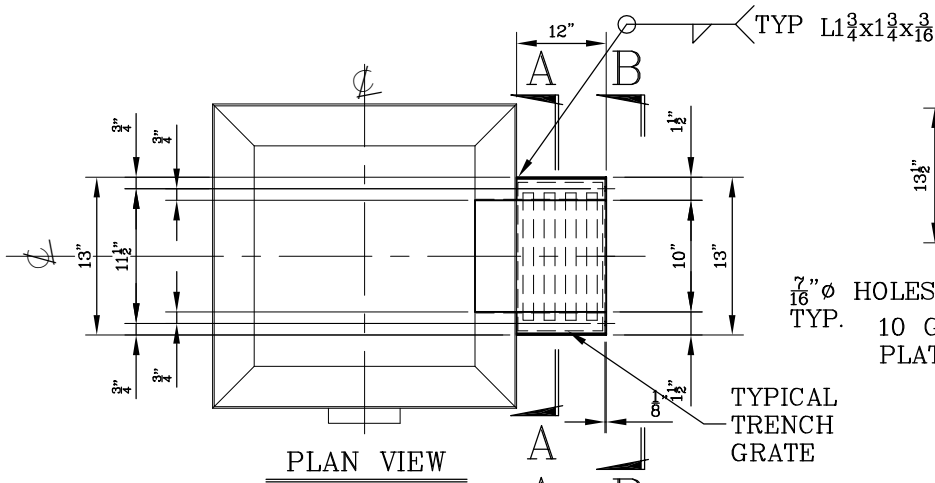
TYPICAL TRENCH INLET GRATE

(1 TOTAL FOR EACH INLET)

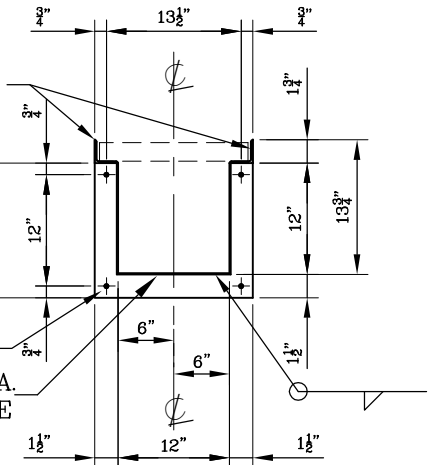


A = A

TRENCH INLET SECTION

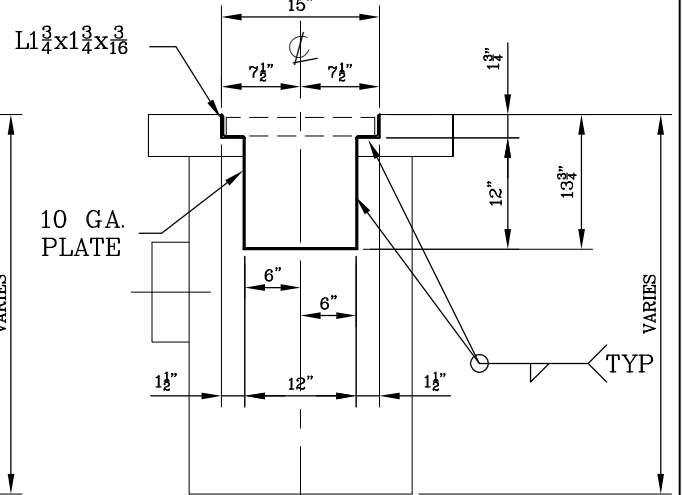
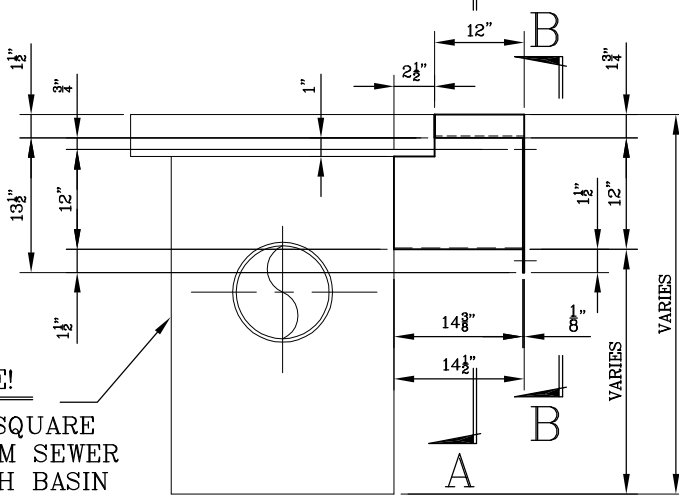


TYPICAL TRENCH GRATE



B = B

END PLATE ELEVATION



NOTE!

24" SQUARE STORM SEWER CATCH BASIN (DEPTHS VARY)

INLET SIDE ELEVATION

INLET FRONT ELEVATION

TYPICAL TRENCH DRAIN INLET



Gibson Steel Basins
SINCE 1972

12" WIDE x 12" DEEP INLET

TRENCH DRAIN INLET (STORM SEWER CATCH BASIN)

PROJ. MAN. DOUG P.

DWN. PAUL G.

SCALE NONE

DATE: JAN. 23, 06

MODEL: GTDB-1212S

DWG #

**TDB
12S**