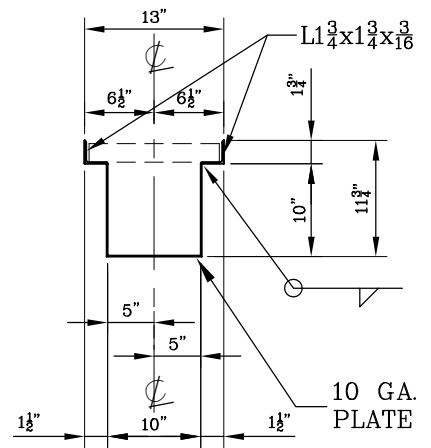


PLAN VIEW SECTION
DUCTILE IRON

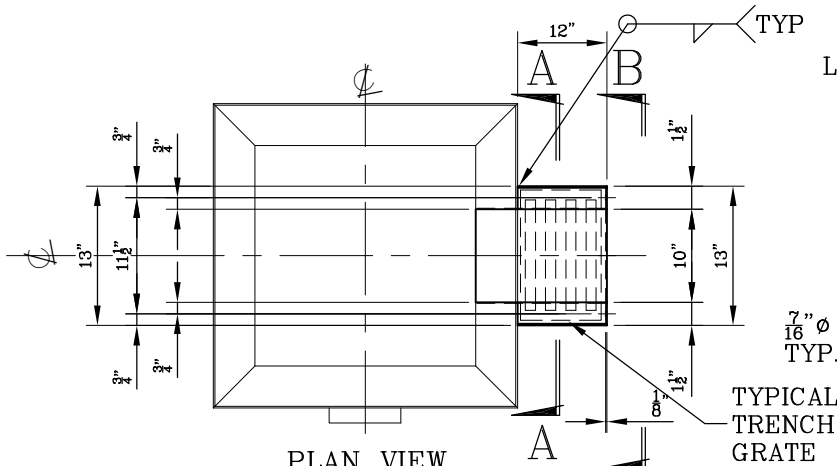
TYPICAL TRENCH INLET GRATE

(1 TOTAL FOR EACH INLET)



A = A

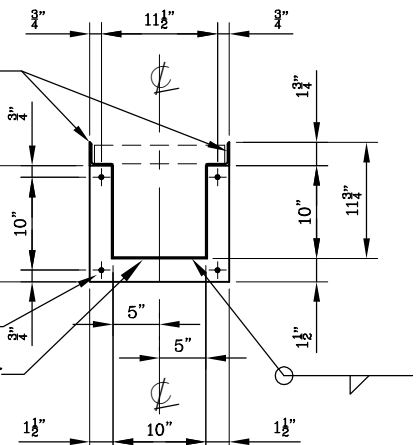
TRENCH INLET SECTION



PLAN VIEW

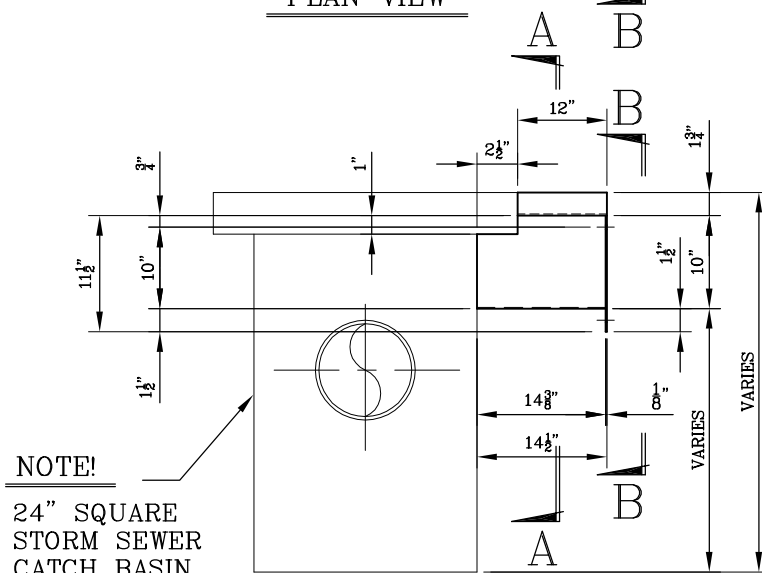
TYPICAL TRENCH GRATE

7/16" Ø HOLES TYP.
10 GA. PLATE

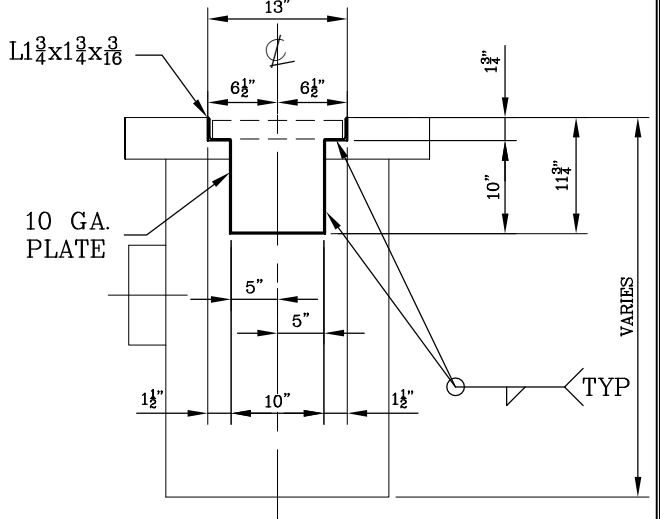


B = B

END PLATE ELEVATION



INLET SIDE ELEVATION



INLET FRONT ELEVATION

NOTE!
24" SQUARE STORM SEWER CATCH BASIN (DEPTHS VARY)

TYPICAL TRENCH DRAIN INLET



Gibson Steel Basins
SINCE 1972

10" WIDE x 10" DEEP INLET

TRENCH DRAIN INLET (STORM SEWER CATCH BASIN)

PROJ. MAN. DOUG P.

DWN. PAUL G.

SCALE NONE

DATE: JAN. 23, 06

MODEL: GTDB-1010S

DWG #

**TDB
10S**