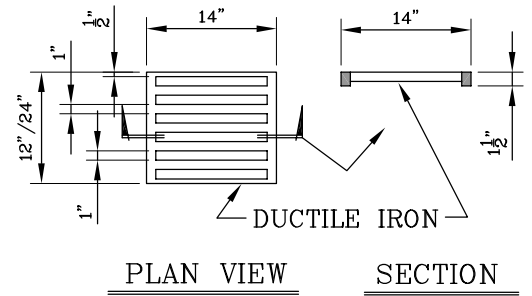
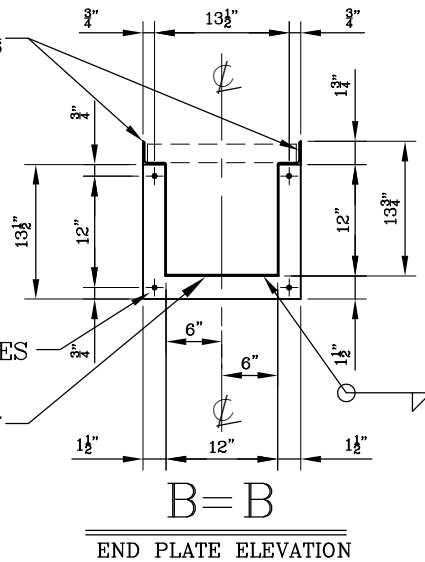
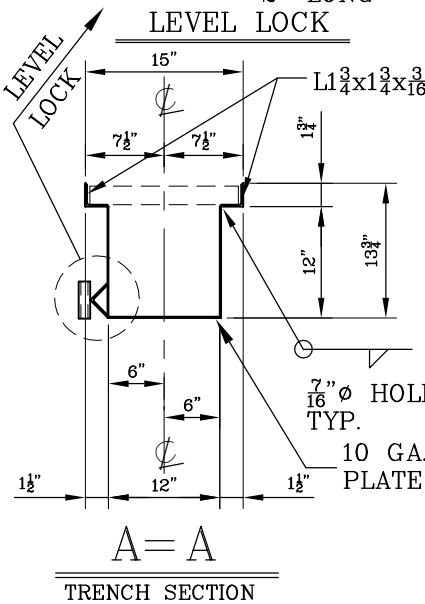


TYPICAL TRENCH DRAIN



TYPICAL TRENCH GRATE

(5 TOTAL FOR EACH TRENCH)



Gibson Steel Basins  
SINCE 1972

12" WIDE x 12" DEEP

10 FOOT LONG FLAT TRENCH DRAIN

PROJ. MAN. DOUG P.

DWN. PAUL G.

SCALE NONE

DWG #

DATE: JAN. 23, 06

MODEL: GTD-1212

**TD12**