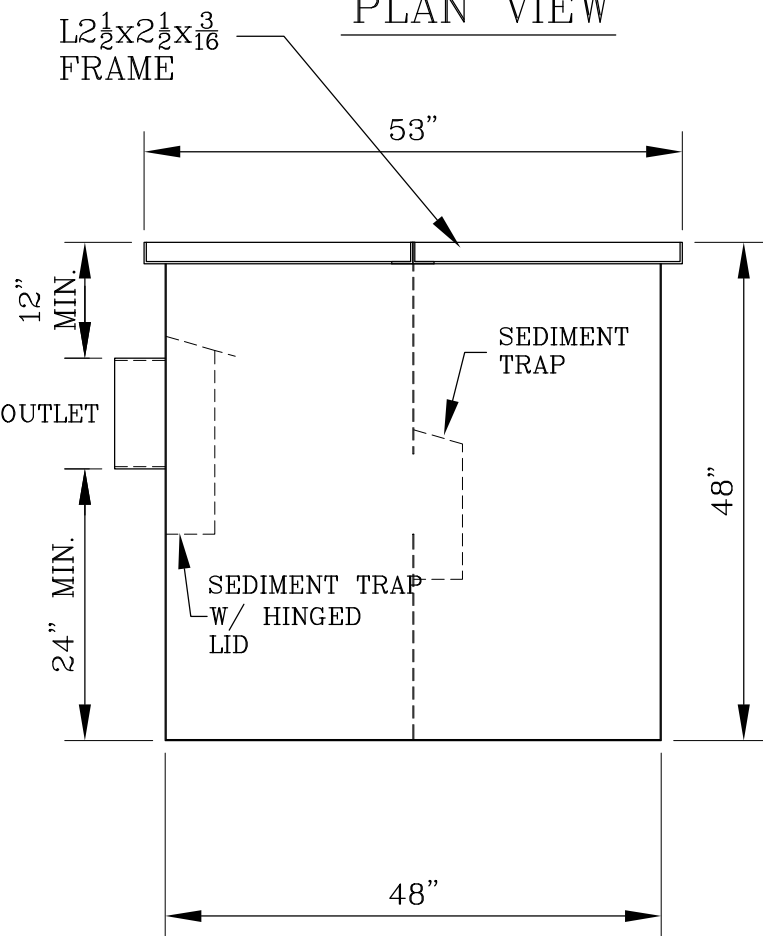


PLAN VIEW



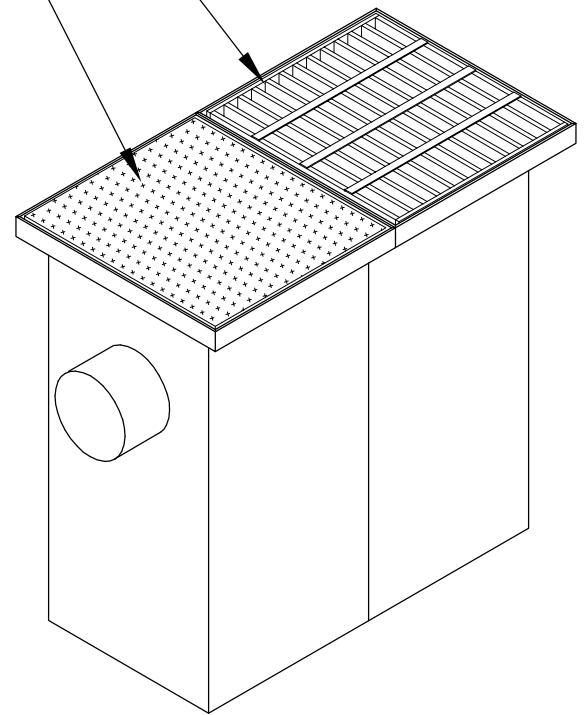
SIDE VIEW

NOTES:

BOX FABRICATED FROM  
10 GA. MATERIAL

DUCTILE IRON SOLID LID  
& DUCTILE IRON GRATE

BIKE PROOF, HEAVY  
DUTY TRAFFIC GRATE  
SUPPORTS AASHTO  
H25 LOADS



ISOMETRIC

STATE APPROVED — ASPHALT DIPPED



Gibson Steel Basins  
SINCE 1972

24" x 48" — 12" Ø OUTLET

SAND COLLECTOR CATCH BASIN

PROJ. MAN. DOUG P.

DWN. PAUL G.

SCALE NONE

DATE: JAN. 23, 06

MODEL: SCB10-48HB-12

DWG #  
**D5**