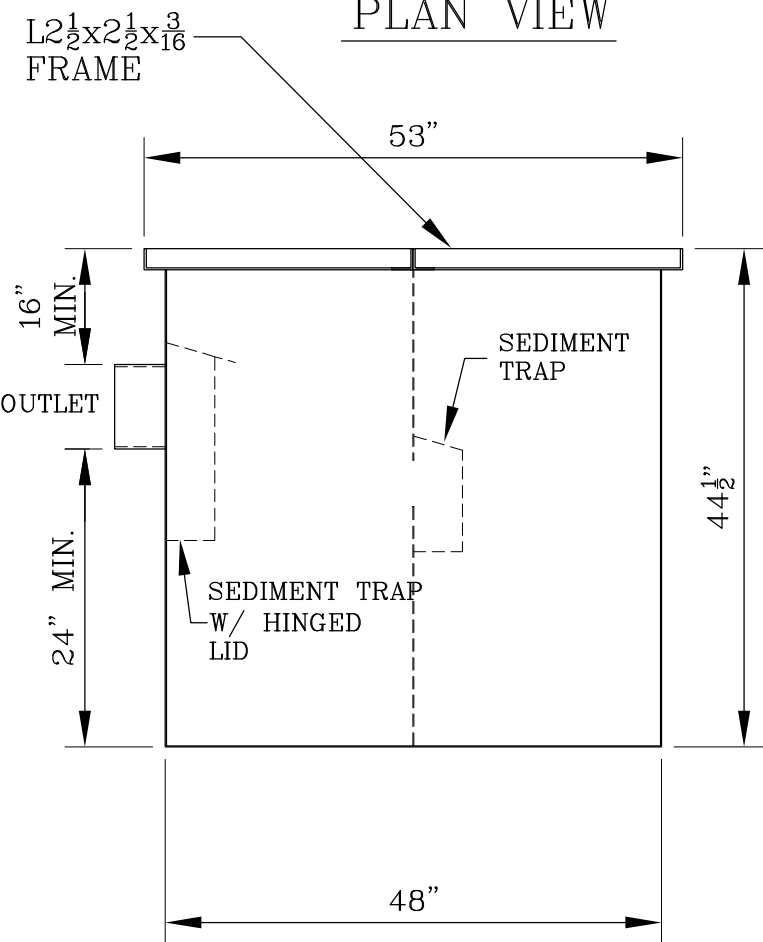


PLAN VIEW



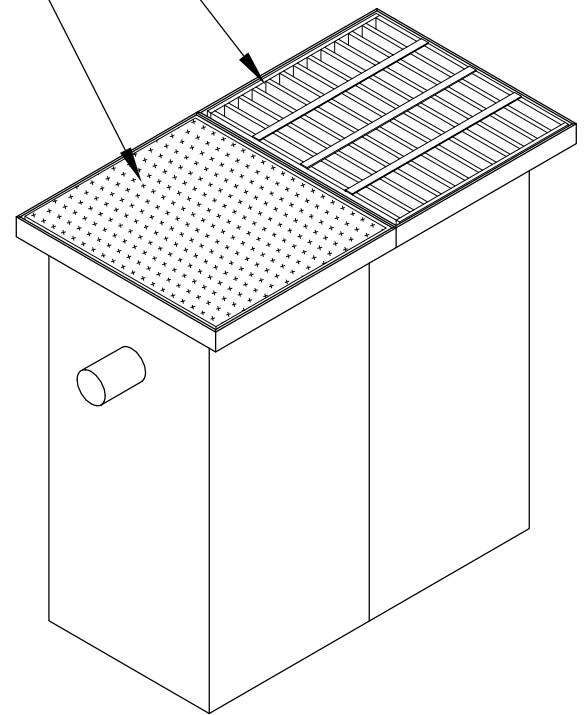
SIDE VIEW

NOTES:

BOX FABRICATED FROM
10 GA. MATERIAL

DUCTILE IRON SOLID LID
& DUCTILE IRON GRATE

BIKE PROOF, HEAVY
DUTY TRAFFIC GRATE
SUPPORTS AASHTO
H25 LOADS



ISOMETRIC

STATE APPROVED — ASPHALT DIPPED



Gibson Steel Basins
SINCE 1972

24" x 42" — 4" Ø OUTLET

SAND COLLECTOR CATCH BASIN

PROJ. MAN. DOUG P.

DWN. PAUL G.

SCALE NONE

DATE: JAN. 23, 06

MODEL: SCB10-42HB-4

DWG #

D1