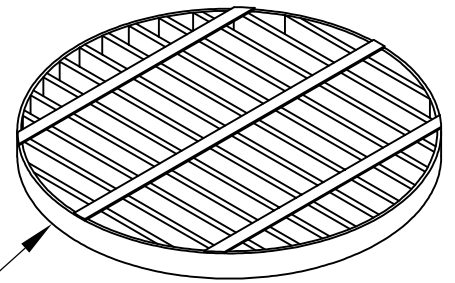


PLAN VIEW

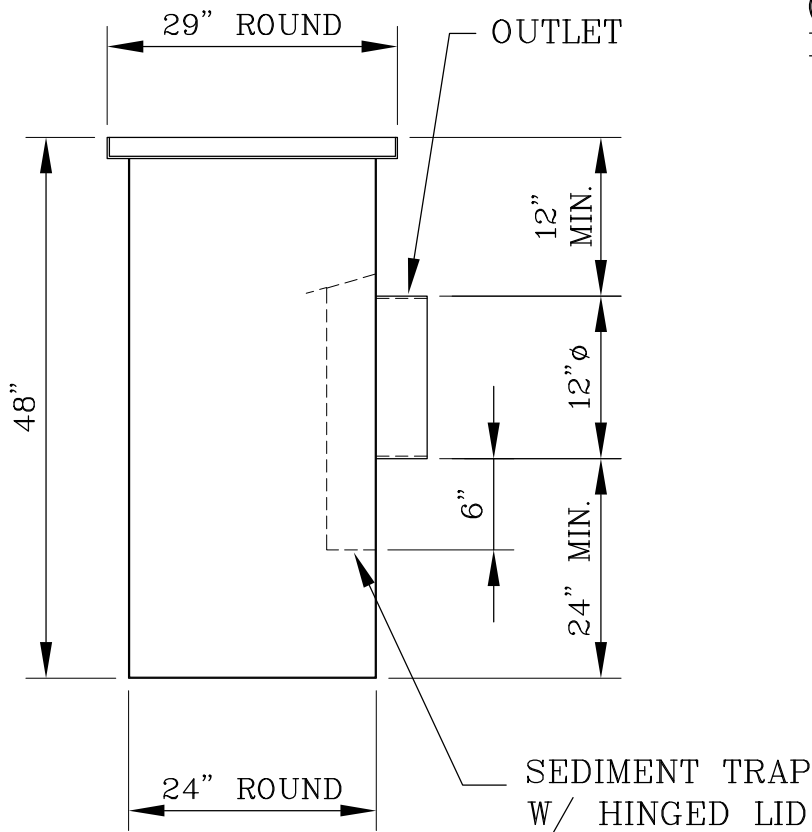
BIKE PROOF, HEAVY
DUTY GRATE SUPPORTS
AASHTO H20 LOADS



GRATING

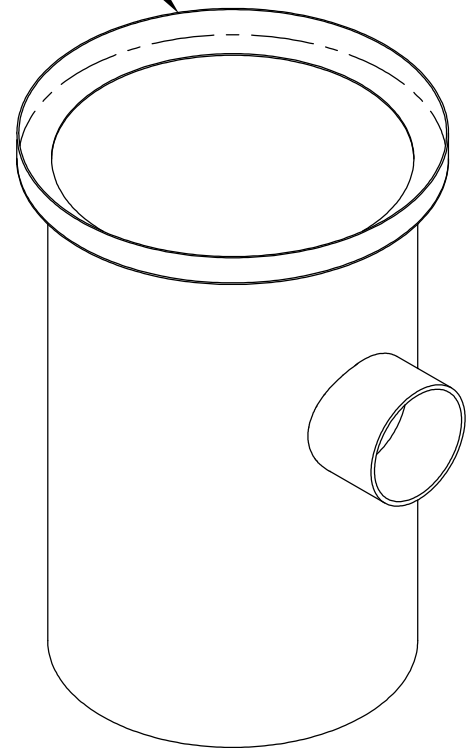
NOTES:

BOX FABRICATED FROM
10 GA. MILD STEEL



SIDE VIEW

L2x2x¹/₄
(CURVED)
FRAME



ISOMETRIC

STATE APPROVED — ASPHALT DIPPED



Gibson Steel Basins
SINCE 1972

24" ROUND — 12" ϕ OUTLET

ROUND STORM WATER CATCH BASIN

PROJ. MAN. DOUG P.

DWN. PAUL G.

SCALE NONE

DATE: JAN. 23, 06

MODEL: RCB24-48HB-12

DWG #

R6