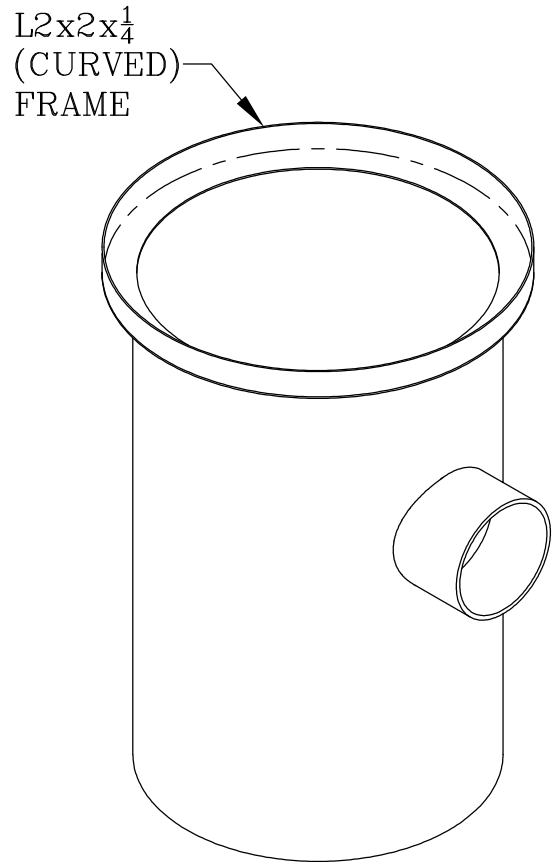
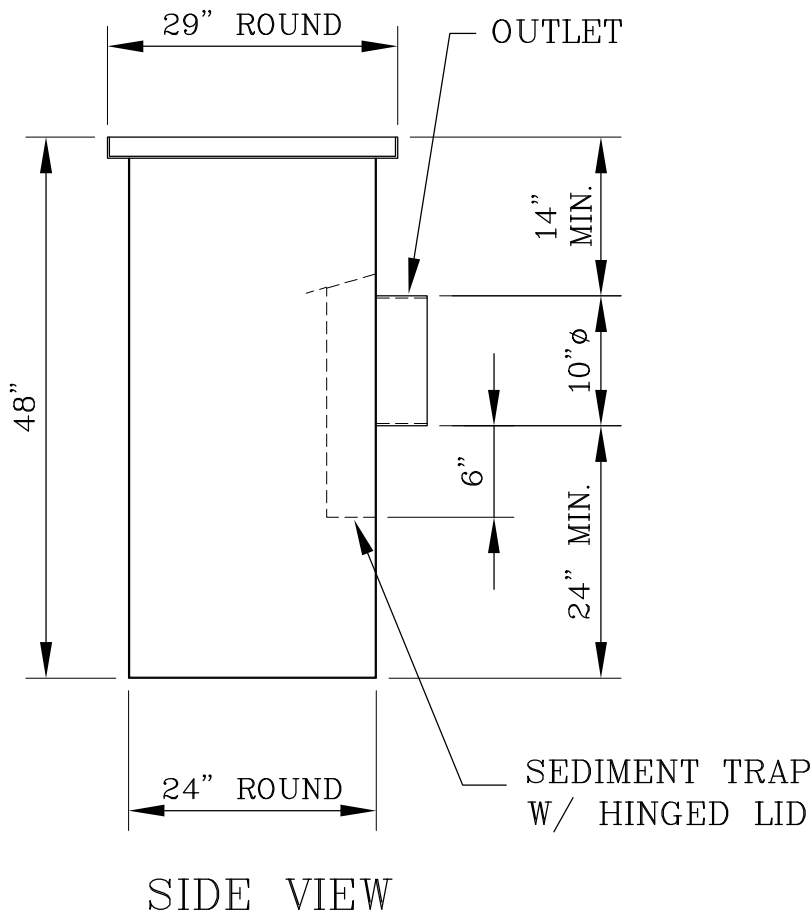


GRATING

NOTES:

BOX FABRICATED FROM 10 GA. MILD STEEL



STATE APPROVED — ASPHALT DIPPED



Gibson Steel Basins
SINCE 1972

24" ROUND — 10" ϕ OUTLET

ROUND STORM WATER CATCH BASIN

PROJ. MAN. DOUG P.

DWN. PAUL G.

SCALE NONE

DATE: JAN. 23, 06

MODEL: RCB24-48HB-10

DWG #
R5