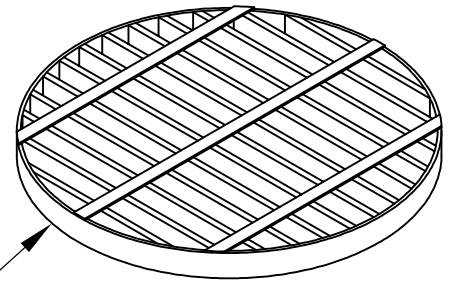


PLAN VIEW

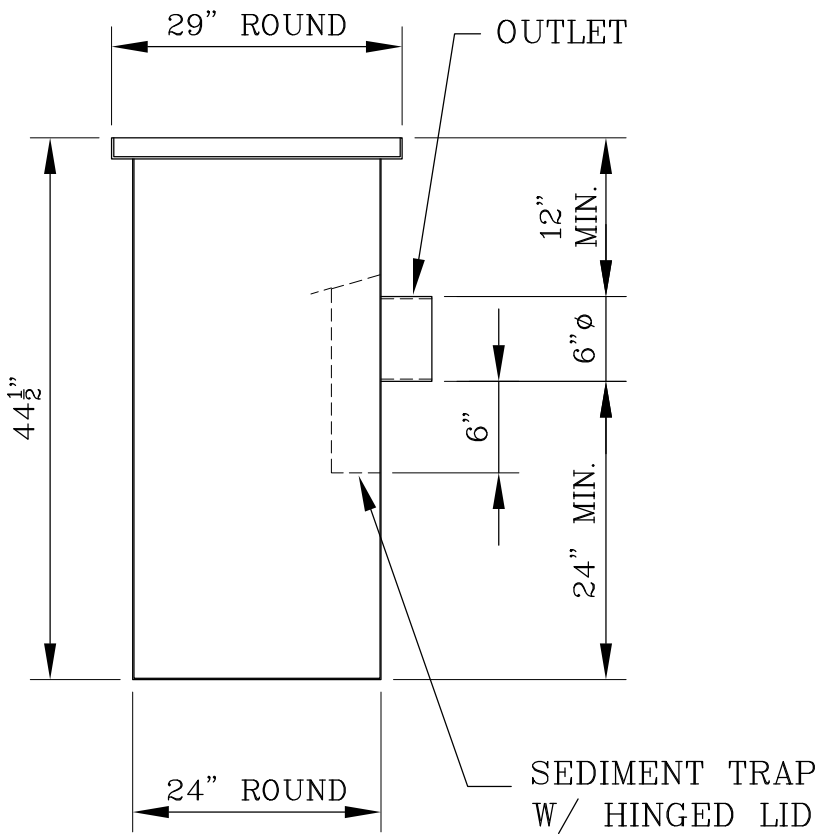
BIKE PROOF, HEAVY  
DUTY GRATE SUPPORTS  
AASHTO H20 LOADS



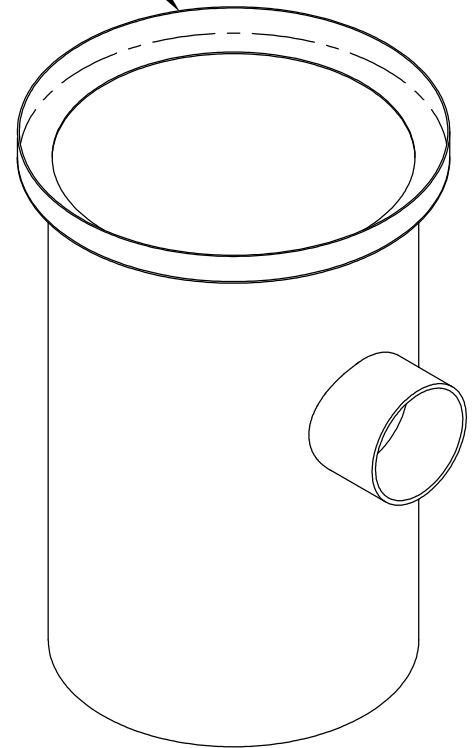
GRATING

NOTES:

BOX FABRICATED FROM  
10 GA. MILD STEEL



SIDE VIEW



ISOMETRIC

STATE APPROVED — ASPHALT DIPPED



Gibson Steel Basins  
SINCE 1972

24" ROUND — 4"  $\phi$  — 6"  $\phi$  — 8"  $\phi$  OUTLET

ROUND STORM WATER CATCH BASIN

PROJ. MAN. DOUG P.

DWN. PAUL G.

SCALE NONE

DATE: JAN. 23, 06

MODEL: RCB24-42HB-4&6&8

DWG #

**R4**