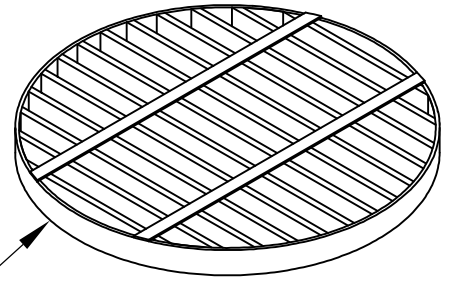


PLAN VIEW

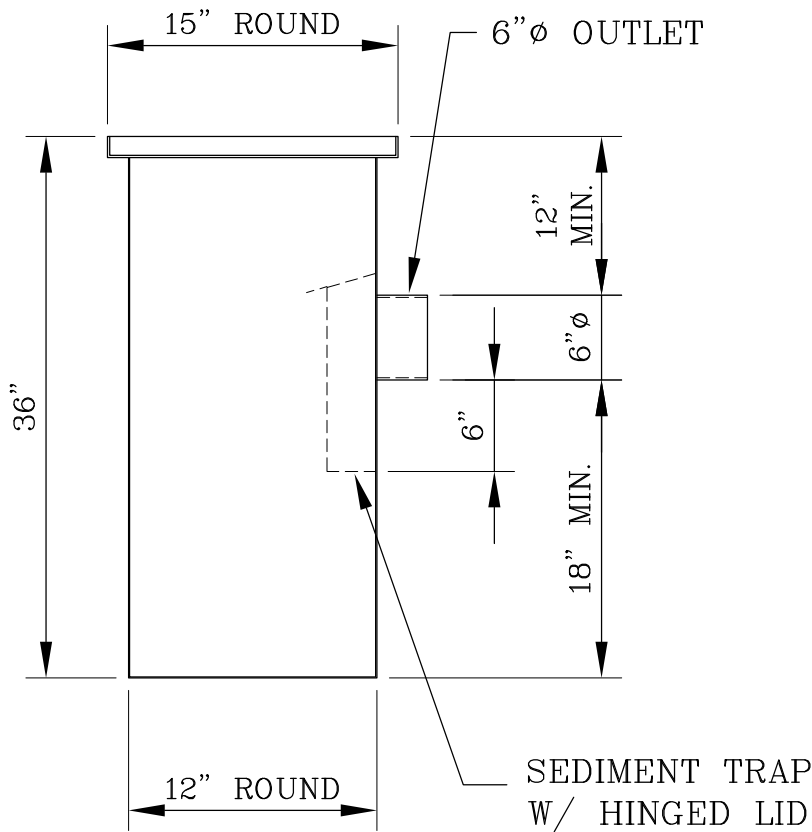


BIKE PROOF, HEAVY
DUTY GRATE

GRATING

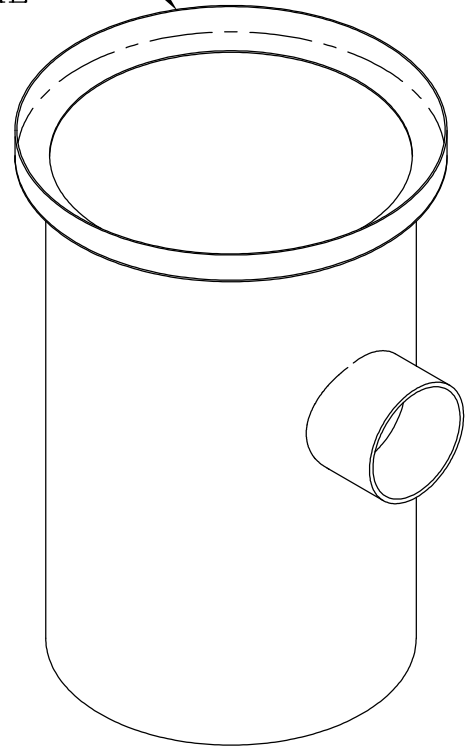
NOTES:

BOX FABRICATED FROM
10 GA. MILD STEEL



SIDE VIEW

L1 $\frac{1}{2}$ x1 $\frac{1}{2}$ x $\frac{1}{4}$
(CURVED)
FRAME



ISOMETRIC

STATE APPROVED — ASPHALT DIPPED



Gibson Steel Basins
SINCE 1972

12" ROUND — 6" ϕ OUTLET

ROUND STORM WATER CATCH BASIN

PROJ. MAN. DOUG P.

DWN. PAUL G.

SCALE NONE

DATE: JAN. 23, 06

MODEL: RCB12-34HB-6

DWG #

R2