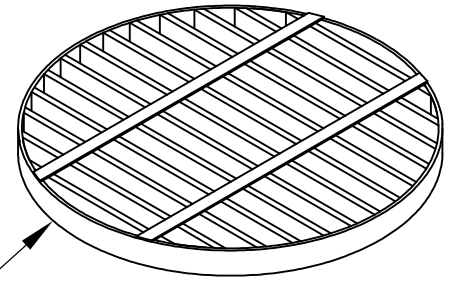


PLAN VIEW

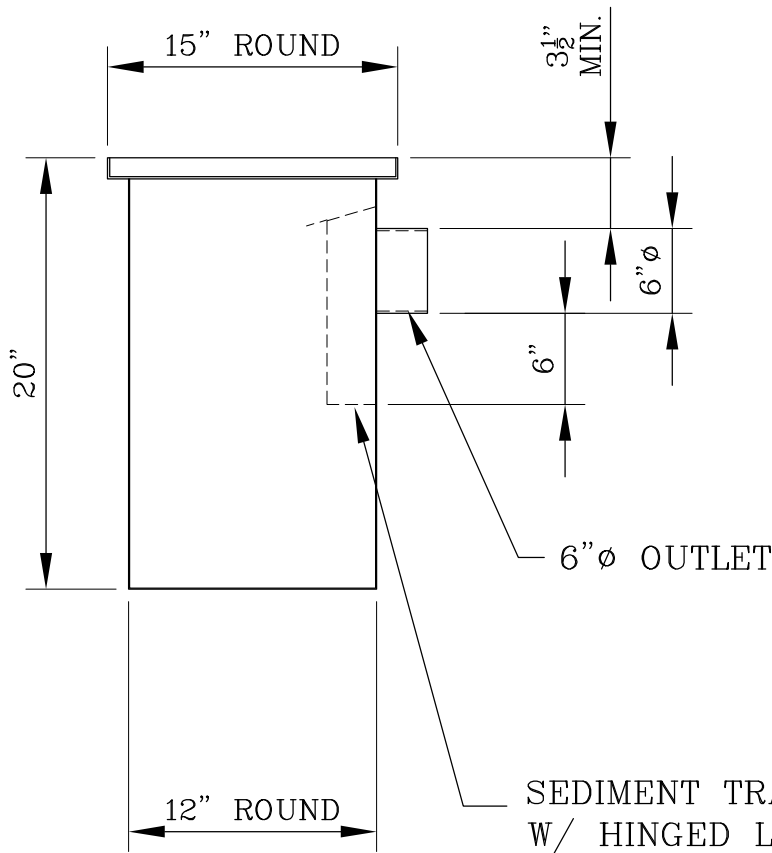
BIKE PROOF, HEAVY
DUTY GRATE



GRATING

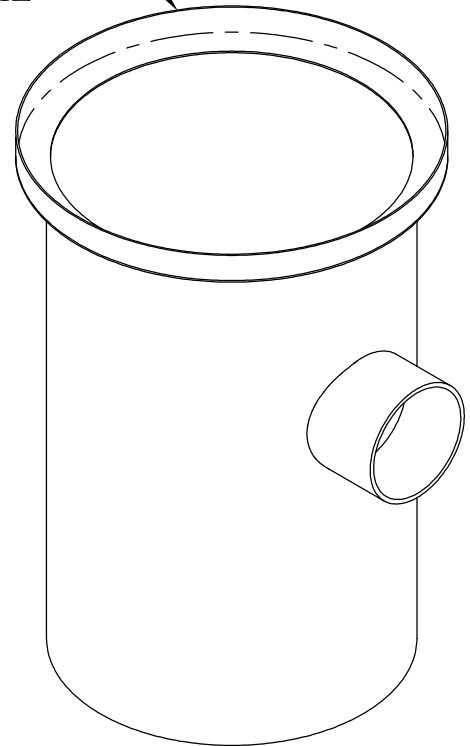
NOTES:

BOX FABRICATED FROM
10 GA. MILD STEEL



SIDE VIEW

L1½x1½x¼
(CURVED)
FRAME



ISOMETRIC

STATE APPROVED — ASPHALT DIPPED



Gibson Steel Basins
SINCE 1972

12" ROUND — 6"Ø OUTLET

ROUND STORM WATER CATCH BASIN

PROJ. MAN. DOUG P.

DWN. PAUL G.

SCALE NONE

DATE: JAN. 23, 06

MODEL: RCB12-20HB-6

DWG #

R1