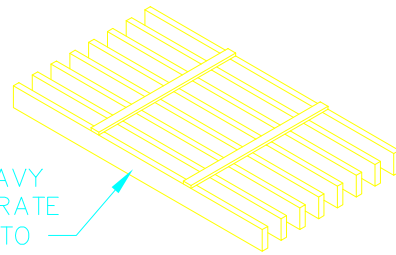


PLAN VIEW



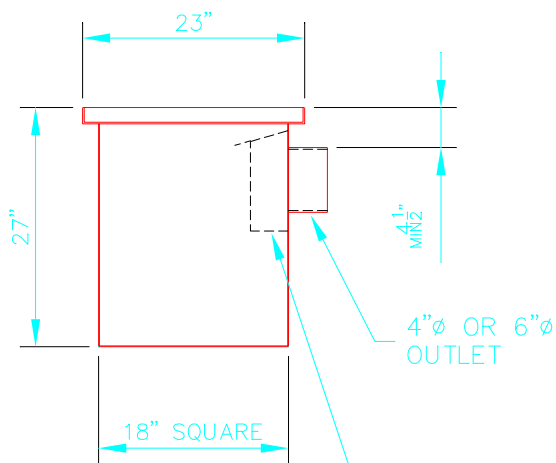
BIKE PROOF, HEAVY  
DUTY TRAFFIC GRATE  
SUPPORTS AASHTO  
H20 LOADS

GRATING

NOTES:

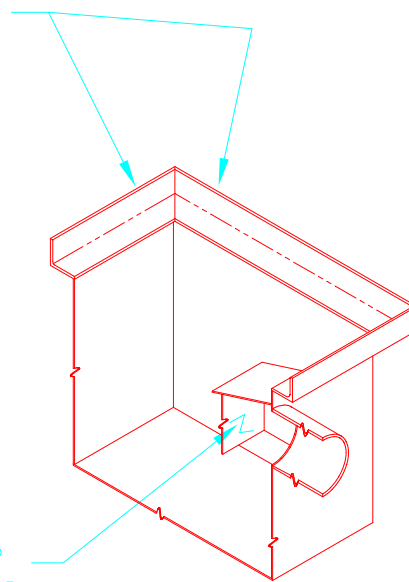
BOX FABRICATED FROM  
10 GA. MATERIAL

4"Ø OR 6"Ø  
OUTLET



SIDE VIEW

L2 1 1/2 x 2 1/4  
FRAME 2 1/2 x 1/8



ISOMETRIC SECTION

GREASE TRAP  
W/ HINGED LID

STATE APPROVED - ASPHALT DIPPED



Gibson Steel Basins  
SINCE 1972

18" SQUARE - 4"Ø OR 6"Ø OUTLET

COMPACT BASIN

PROJ. MAN. DOUG P.

DWN. PAUL G.

SCALE NONE

DATE: JAN. 23, 06

MODEL: GMCB10-1827HB-4&6

DWG #

C3

247 Washington St. Eugene, Or. 97410 ph:(541) 687 - 8672 fax:687-0033