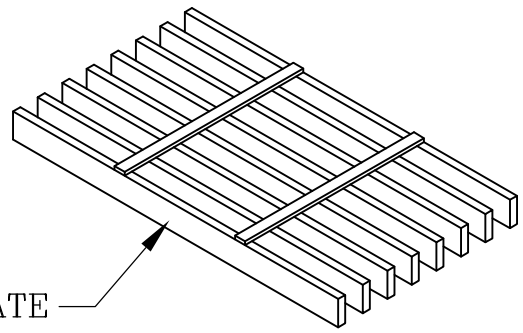


PLAN VIEW



BIKE PROOF GRATE

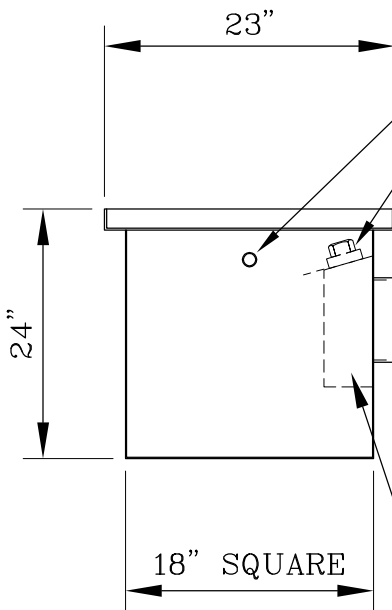
GRATING

NOTES:

BOX FABRICATED FROM
10 GA. MATERIAL

4"Ø OR 6"Ø
OUTLET

L2½x2½x⅜
FRAME



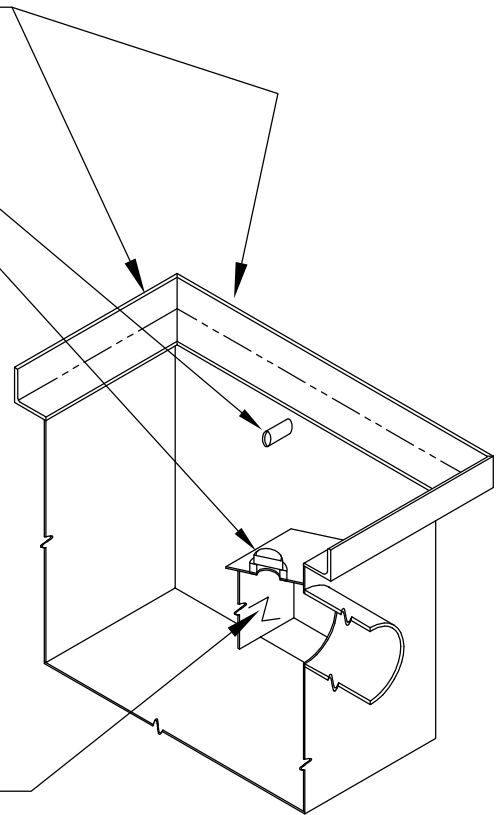
SIDE VIEW

TRAP PRIMER

4"Ø THREADED
CLEAN-OUT

4"Ø OR 6"Ø
OUTLET

SEDIMENT TRAP
W/ HINGED LID



ISOMETRIC SECTION

STATE APPROVED — ASPHALT DIPPED



Gibson Steel Basins
SINCE 1972

18" SQUARE — 4"Ø OR 6"Ø OUTLET

COMPACT BASIN

PROJ. MAN. DOUG P.

DWN. PAUL G.

SCALE NONE

DATE: JAN. 23, 06

MODEL: GCB10-1824HB-4&6-TP

DWG #

C2