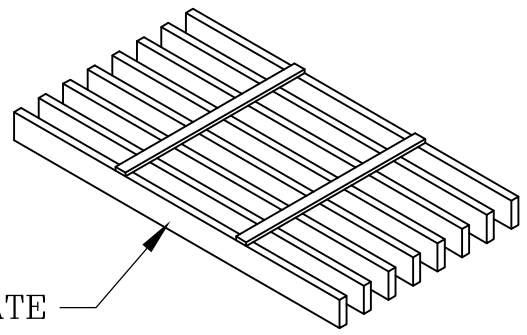


PLAN VIEW

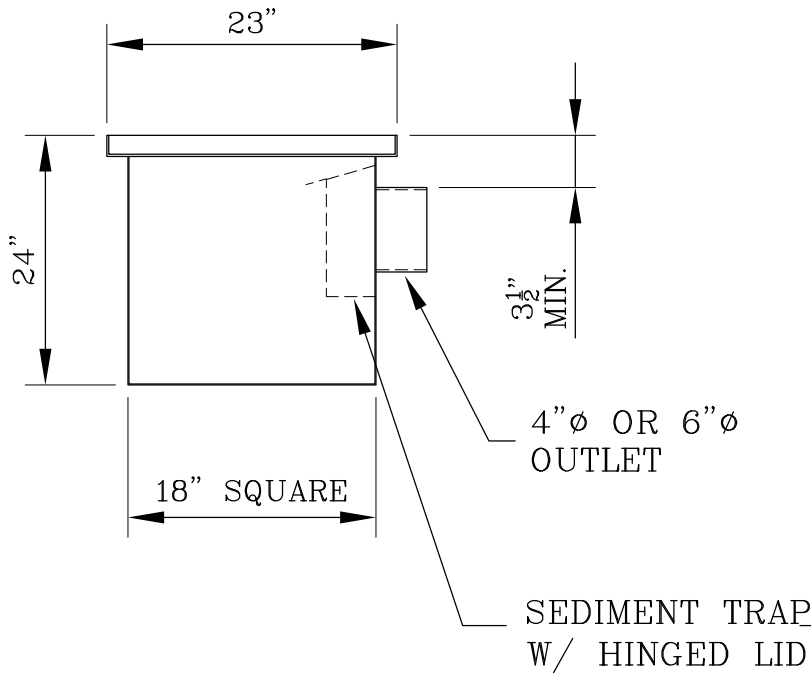


BIKE PROOF GRATE

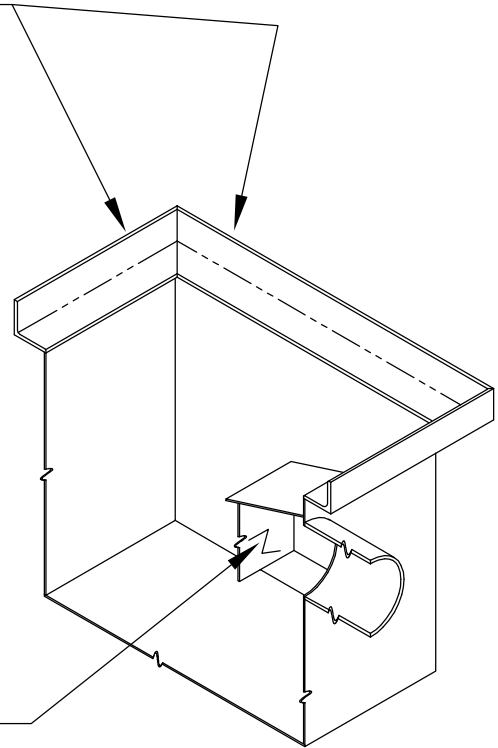
GRATING

NOTES:

BOX FABRICATED FROM  
10 GA. MATERIAL



SIDE VIEW



ISOMETRIC SECTION

STATE APPROVED — ASPHALT DIPPED



Gibson Steel Basins  
SINCE 1972

18" SQUARE — 4"Ø OR 6"Ø OUTLET

COMPACT BASIN

PROJ. MAN. DOUG P.

DWN. PAUL G.

SCALE NONE

DATE: JAN. 23, 06

MODEL: GCB10-1824HB-4&6

DWG #

**C2**