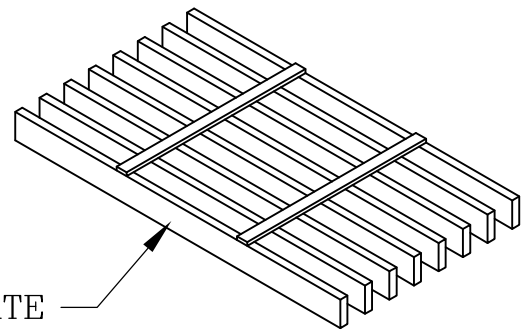


PLAN VIEW



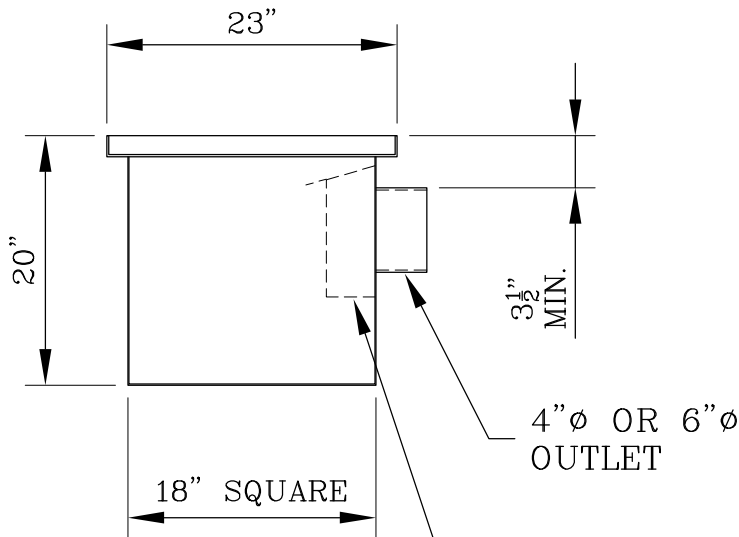
BIKE PROOF GRATE

GRATING

NOTES:

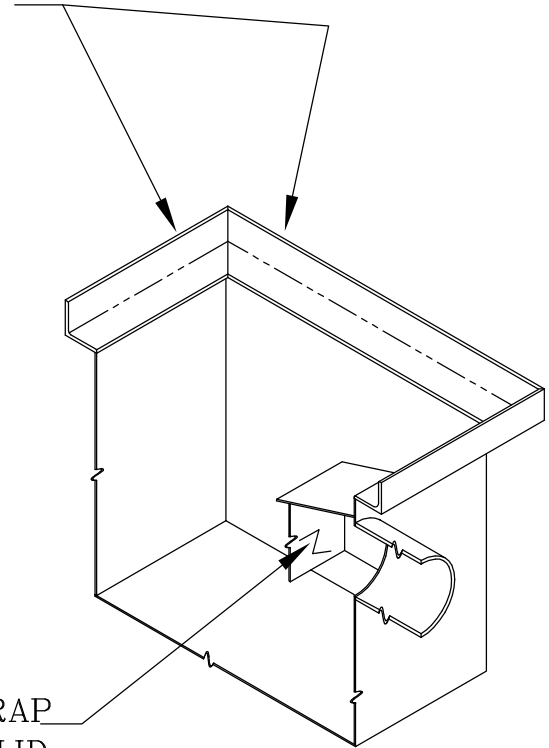
BOX FABRICATED FROM
10 GA. MATERIAL

4"φ OR 6"φ
OUTLET



SIDE VIEW

L2 $\frac{1}{2}$ x2 $\frac{1}{2}$ x $\frac{3}{16}$
FRAME



ISOMETRIC SECTION

3 $\frac{1}{2}$ "
MIN.

4"φ OR 6"φ
OUTLET

SEDIMENT TRAP
W/ HINGED LID

STATE APPROVED — ASPHALT DIPPED



Gibson Steel Basins
SINCE 1972

18" SQUARE — 4"φ OR 6"φ OUTLET

COMPACT BASIN

PROJ. MAN. DOUG P.

DWN. PAUL G.

SCALE NONE

DATE: JAN. 23, 06

MODEL: GCB10-1820HB-4&6

DWG #

C1